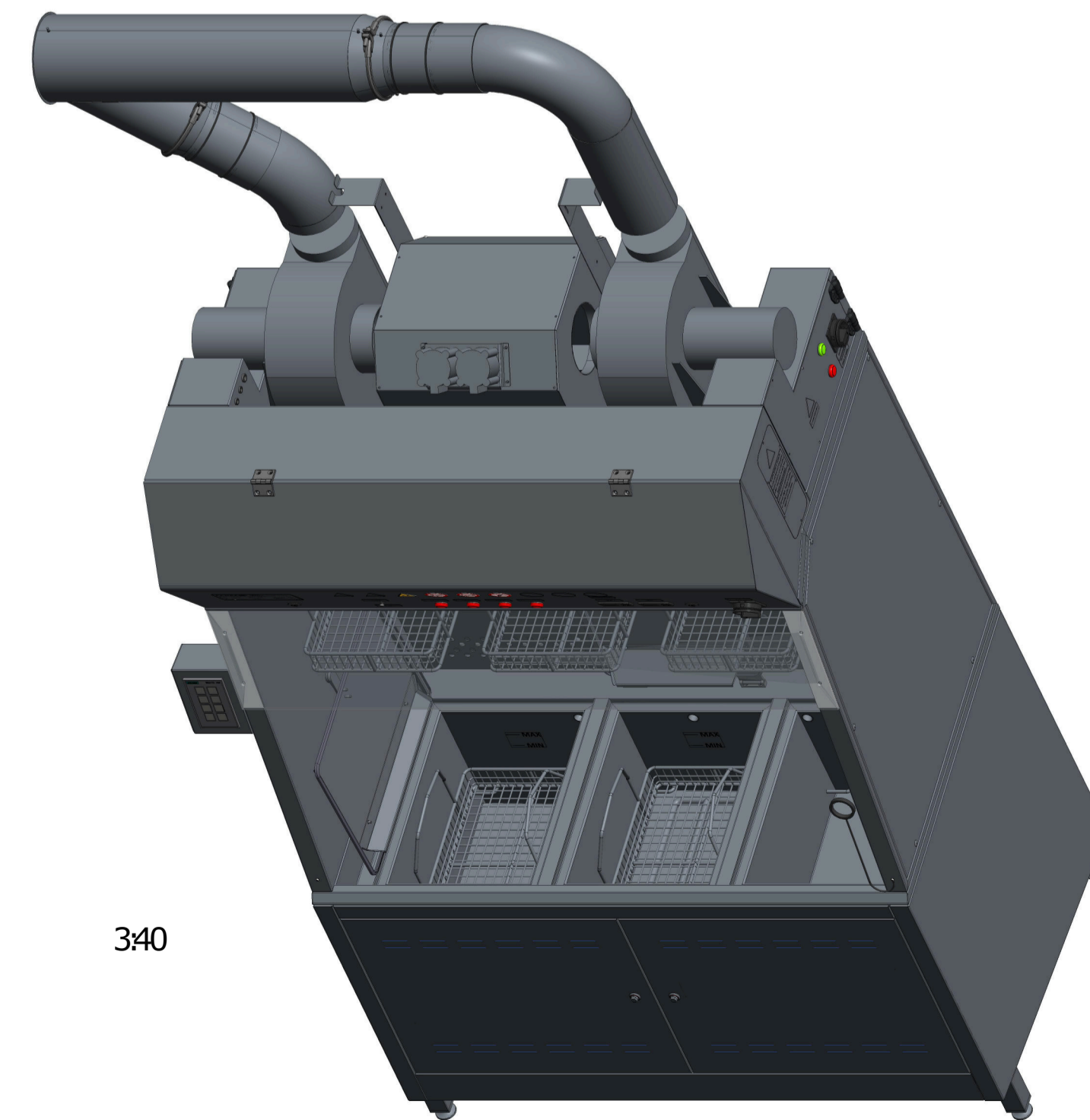
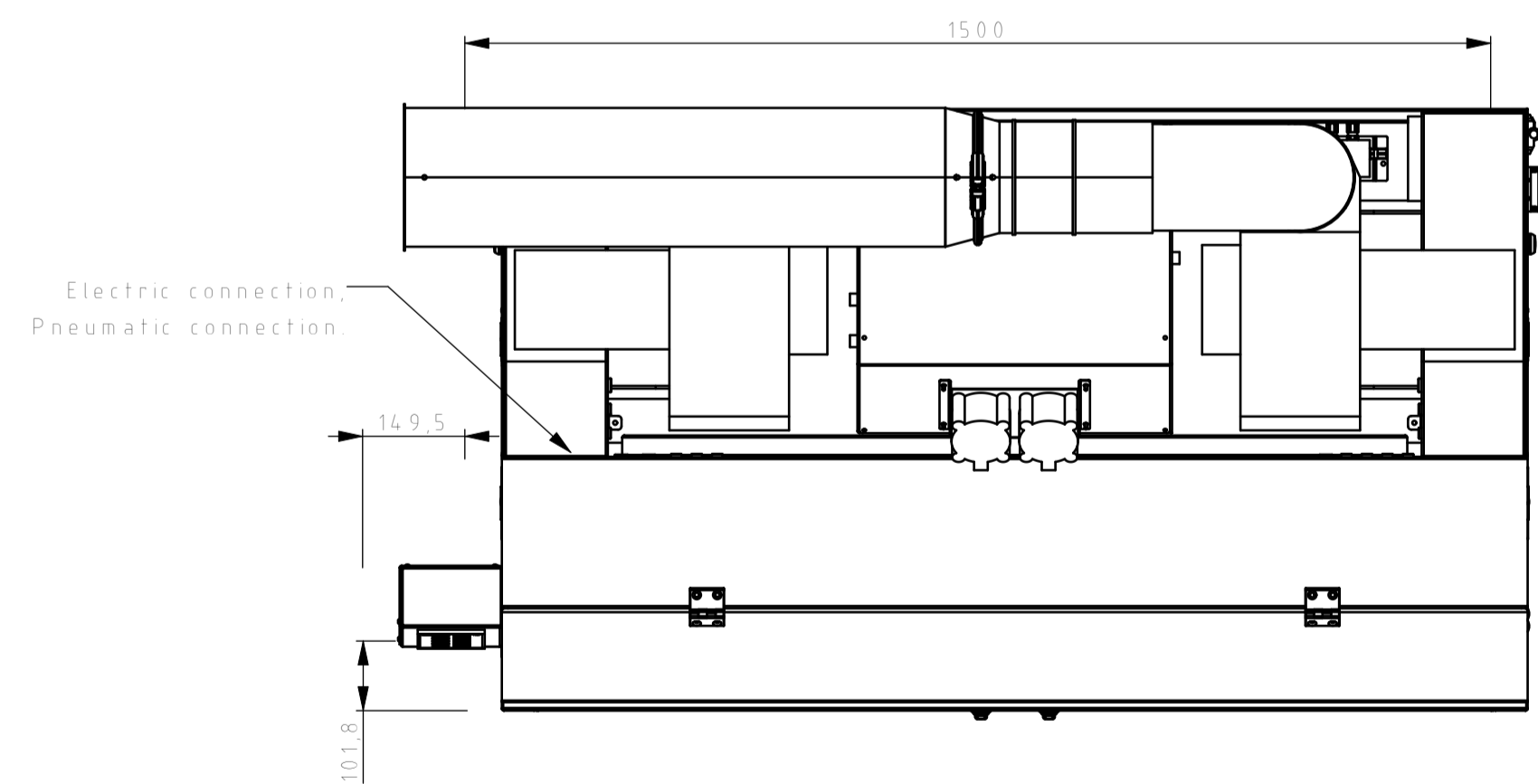


All baths filled with cleaning fluid. Airflow not adjustable (determined by PID)
 Waste fluid disposed by filling in smaller canister with flexible hose, on pressure side of pump.
 Canister needs to be conductive/dispative and grounded.

Material:
 -working surface, baths polished AISI316L (14404)
 -all visible surfaces (including working area walls and ceiling) brushed AISI 304 (14301)
 -non visible surfaces (internal walls, technical area...) untreated AISI 304 (14301)

Pipeline system can be rotated so that exhaust is on other side of device



340

| | | | | | | |
|-------------------------------------|--------|----------------|----------|--------------------------------|-----|------------|
| Degree of accuracy of free measures | | Surface finish | | Scale: 1:10 | 2pc | 170 kg/pc. |
| ISO 2768 - mK | | Rz | | Material: | | |
| | | Day | Name | 60WRD | | |
| | | Made | 04.03.19 | Bucur-B | | |
| | | Contr | 04.03.19 | Rangus D. | | |
| | | | | Drawing no: 6364-00-00 | | |
| | | | | Page 1/1 | | |
| No. | Change | Day | Name | © ANMASI 1120 157 60WRD ANMASI | | |