

MASTERCLEAN

Reduce your operating costs significantly, extend the life of your tools and protect the environment with a central filtration system from us.

Our tailor-made central filtration systems for efficient filtration of lubricants and process fluids made at our factory in Denmark. Its available either as a part- or full flow system constructed in powerful stainless steel with bandfilter, oil separator, pumps, level control, automatic dosing and touchscreen.

This is a complete solution with user-friendly control including monitoring and alarms as well as the possibility of SMS warning and a wide range of extra options.

Applications:

- Lubricants
- Waste water
- Process fluids
- Cleaning fluids
- Oil

Extra options:

- Cooling units
- Magnetic separator
- Automatic dosing systems
- Snail conveyor for dirt
- Filter housings
- Filter paper
- Insulated tank unit



Model	MC 2000	MC 3000	MC 4500	MC 8000	MC 10000	MC 12000	MC 14000
Tank volume	2000 l	3000 l	4500 l	8000 l	10.000 l	12.000 l	14.000 l
Bandfilter	UF 1000	UF 1000	UF 1000	UF 2000	UF 2000	UF 2000	UF 2000
Oil separator	OS-Q2	OS-Q2	OS-Q2	OS-Q2	OS-Q2	OS-Q2	OS-Q2
Connection	3x400V-50 hz. - 16 amp.	3x400V-50 hz. - 16 amp.	3x400V-50 hz. - 16 amp.	3x400V-50 hz. - 32 amp.	3x400V-50 hz. - 32 amp.	3x400V-50 hz. - 32 amp.	3x400V-50 hz. - 32 amp.
Labyrinth system	—	—	—	Yes	Yes	Yes	Yes



✓ **100% stainless steel construction**

The filtration systems are produced in stainless steel grade: AISI 304

✓ **Bandfilter**

Anmasi's hydrostatic bandfilter used for filtration of contaminants, particles and chips from the lubricants is standard.

✓ **Reduce operation cost significantly**

Anmasi's centralized filtration systems can reduce cost of up to 5.300 euro pr. year on each connected CNC-machine.

✓ **Oilseparator**

Anmasi's innovative oil separator with four-chamber system is build into the filtration system.

✓ **Monitoring and control**

The centralized filtration systems is delivered with complete monitoring systems including alarms and possibility for SMS-service.

✓ **Higher overall efficiency**

The reduced manpower needed for maintaining the CNC-machines, and more production hours pr. machine improves efficiency in the whole production.

✓ **Made according to your needs**

The centralized filtration systems are always produced according to your specific needs as a customer.

✓ **Effective continuous filtration**

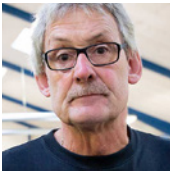
The filtration systems ensures continuous filtering of the process fluids during production.

✓ **Automatic waterfilling**

The filtration system is auto- matically controlling the water level using a level sensor and magnetic valves.

MASTERCLEAN

Experience the Masterclean central filtration systems in the pictures below, where you can find **two installations of the filtration system in operation** at some of our many satisfied customers.



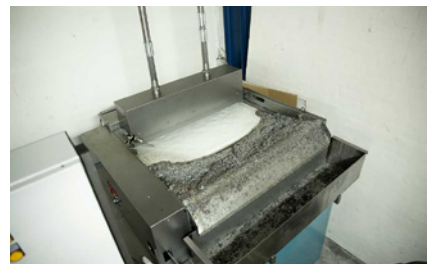
ALSTED METAL
Per Alsted Christensen
Owner



The central filtration system for filtering the lubricant.



We provide you with a turnkey solution including installation work such as piping.



Hydrostatic bandfilter for filtering particles and metal chips from the lubricant.



BRANDT METAL INDUSTRY
Johnny Brandt
Owner



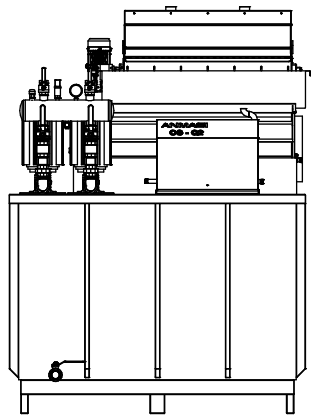
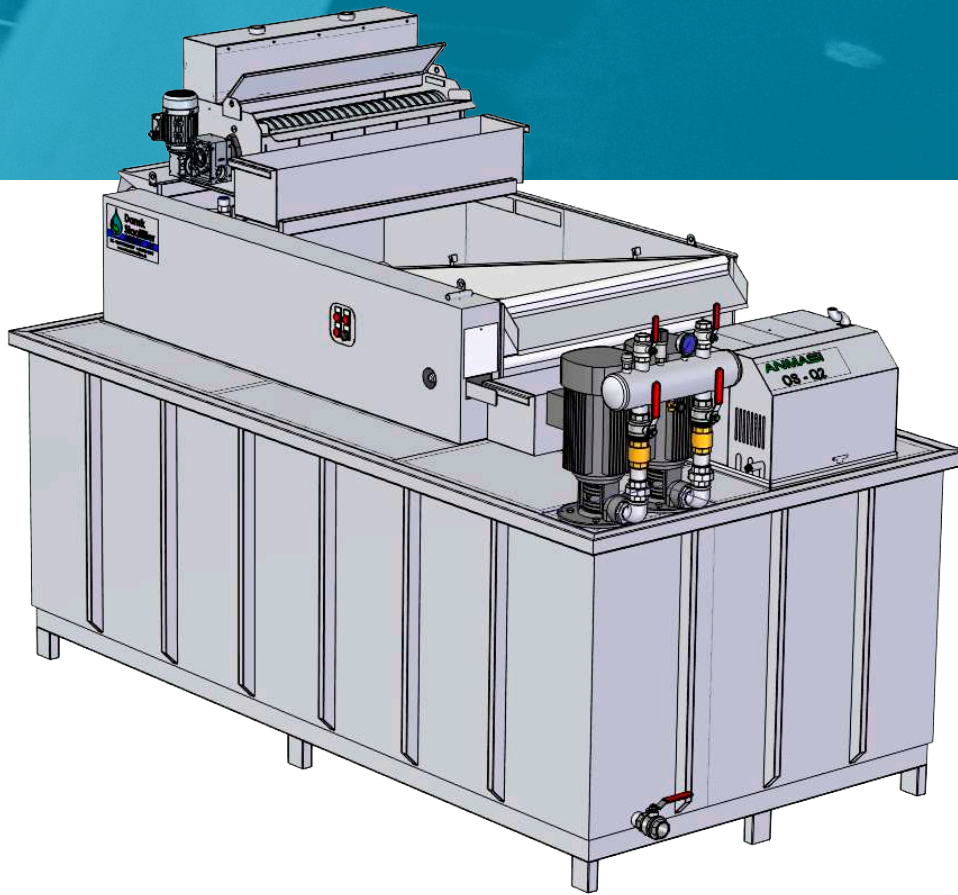
The turning department at Brandt Metal Industry with the central filtration system.



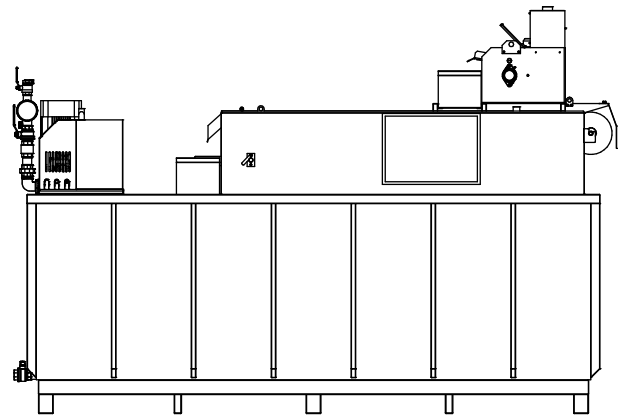
The central filtration system for filtering the lubricant.



Picture of our high-end external machine connection for ensuring efficient exchange and filtering.

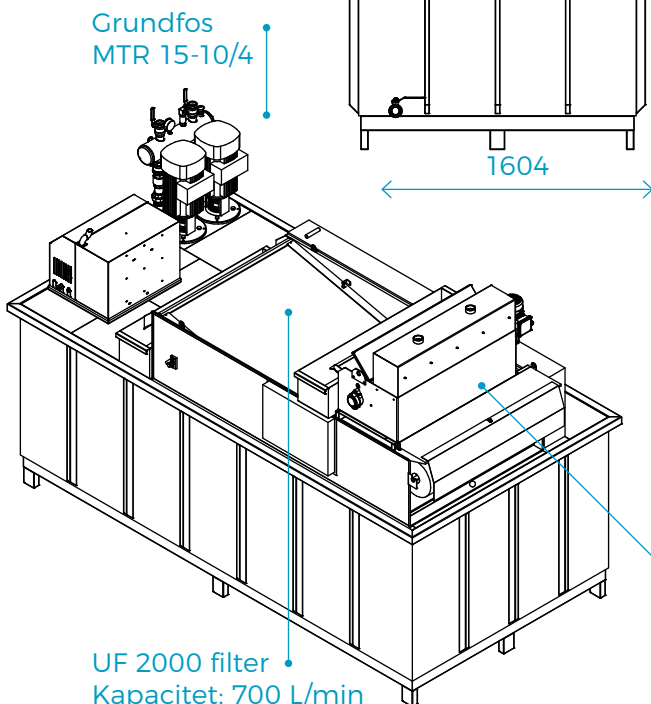


1604



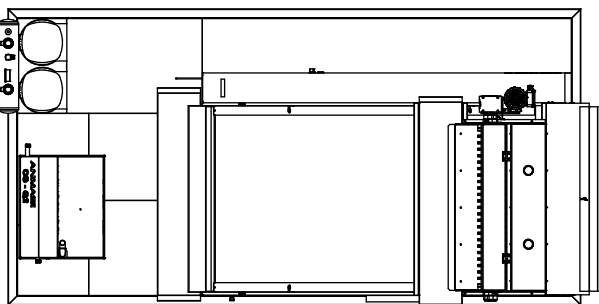
2204.5

3104



Grundfos
MTR 15-10/4

UF 2000 filter
Kapacitet: 700 L/min



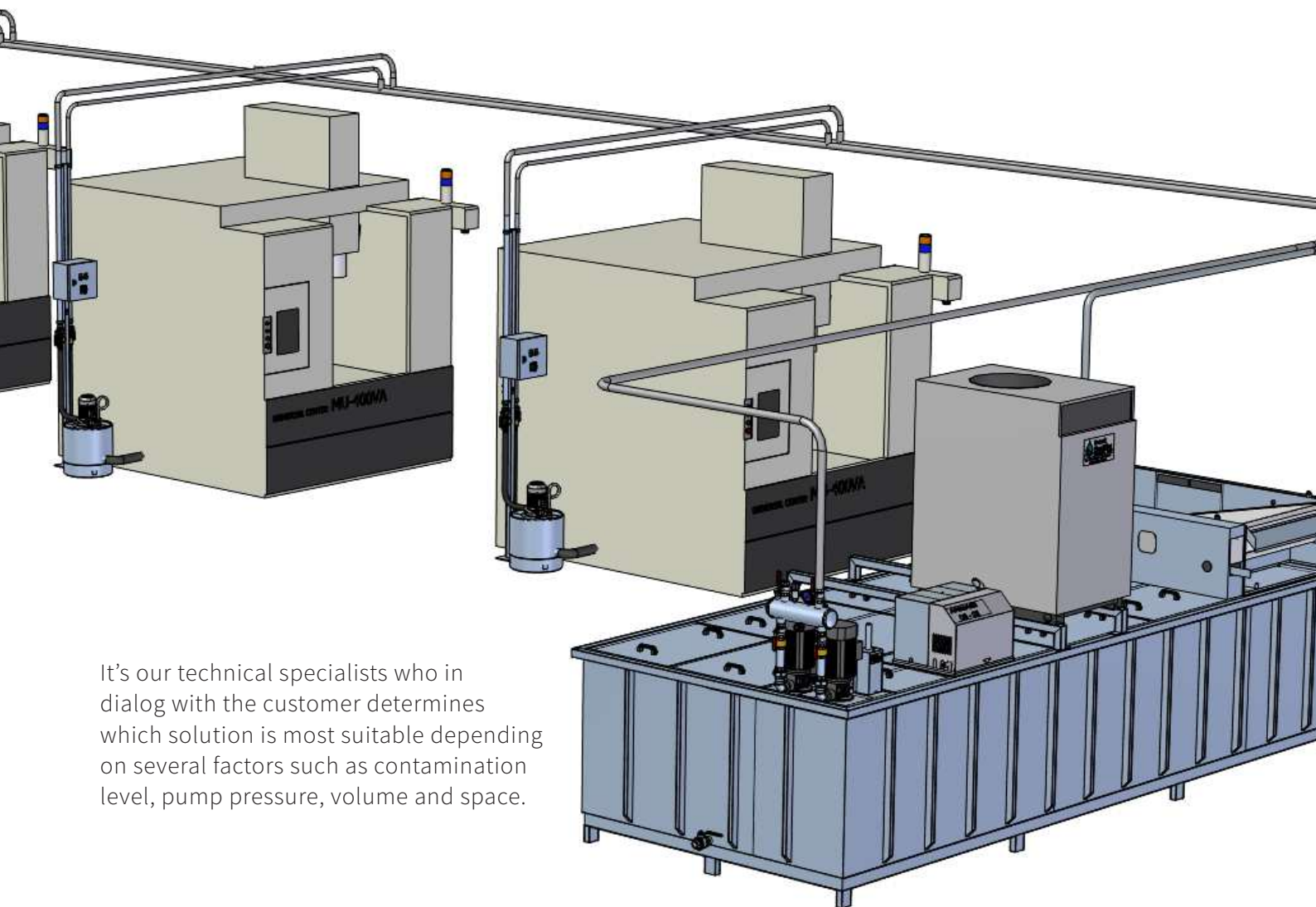
Oil separator
OS-Q2

Magnet Separator
DSI MS-900

MACHINE CONNECTIONS

This is an essential part of the centralized filtration system, because why invest in a world class filtration system if you're not managing to transport all contaminants polluting the process fluid through the filtration system?

That's why its very important to consider the type of machine connection when installing a filtration system, because this part is just as important as the filtration system itself, and the installation must be carried out by trained professionals to avoid issues with the efficiency.



It's our technical specialists who in dialog with the customer determines which solution is most suitable depending on several factors such as contamination level, pump pressure, volume and space.



Anmasi manufacture and install two types of machine connections, which is used depending on customer application and economy. The first type is our high-end external connection with frequency-regulated pump, stainless steel self-cleaning suction tank and level sensor.

The second type is our economic integrated connection, which is placed in a small container directly inside the process fluids.



This is our high-end external machine connection which is necessary for some applications like when your working with aluminum chips.



*Integrated connection
CNC-Machine*



*Integrated connection
Cleaning system*

The machine connections are designed for our central filtration systems but can be easily implemented for other similar systems from other manufactures.

We have been doing this at several customers over the years for different reasons such as a change in the application.

