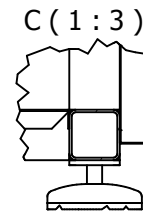
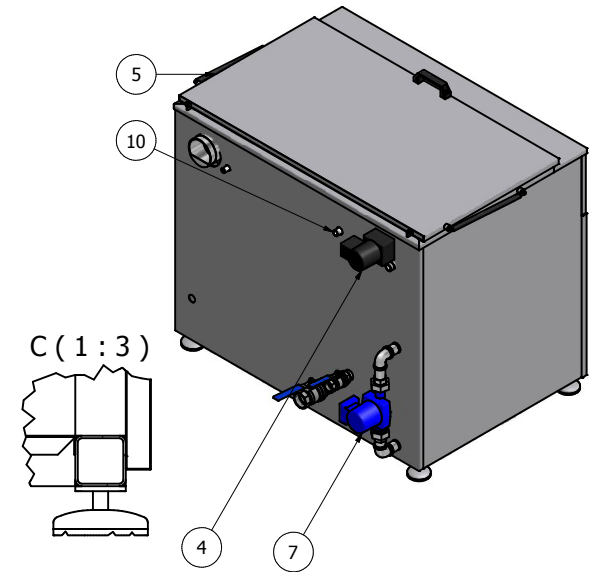
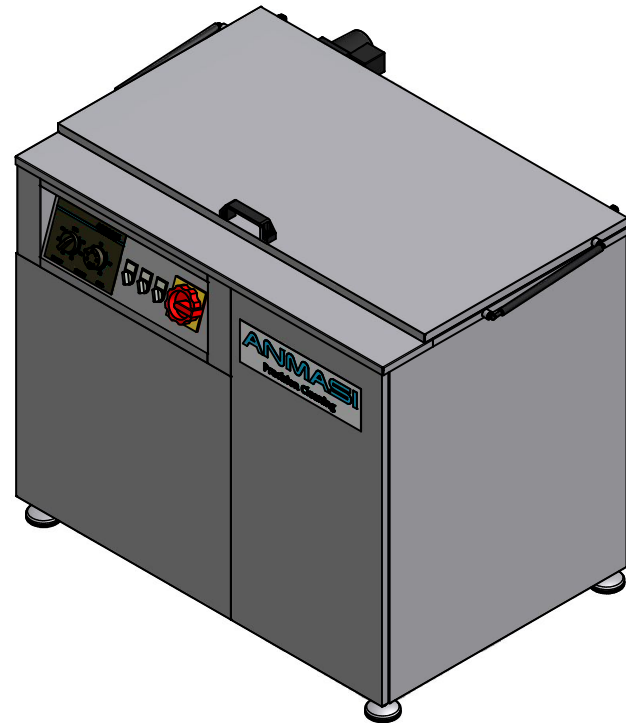
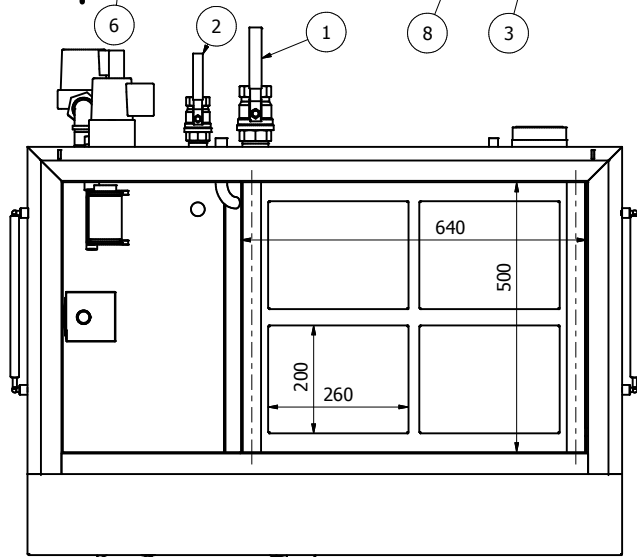
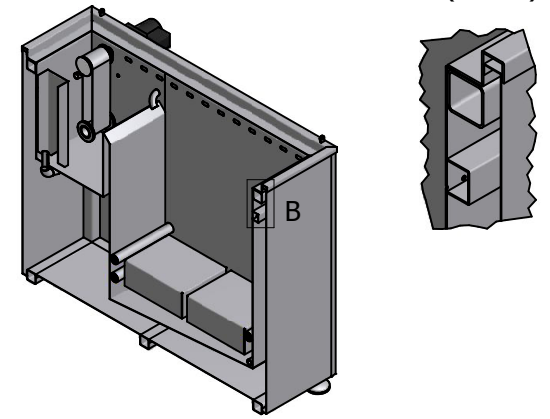
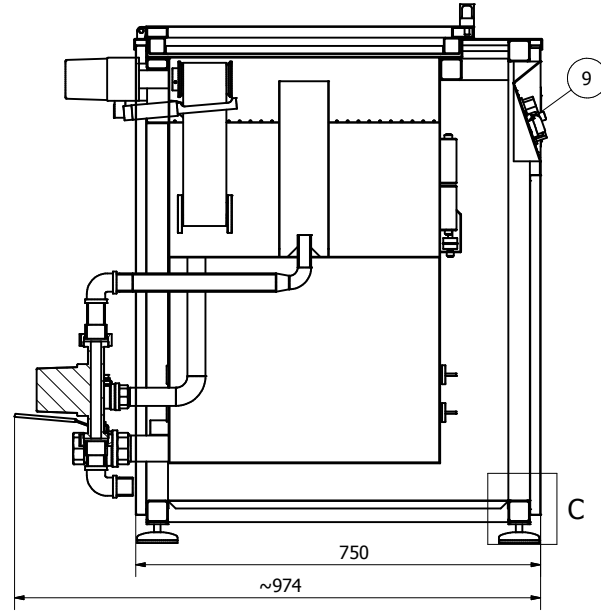
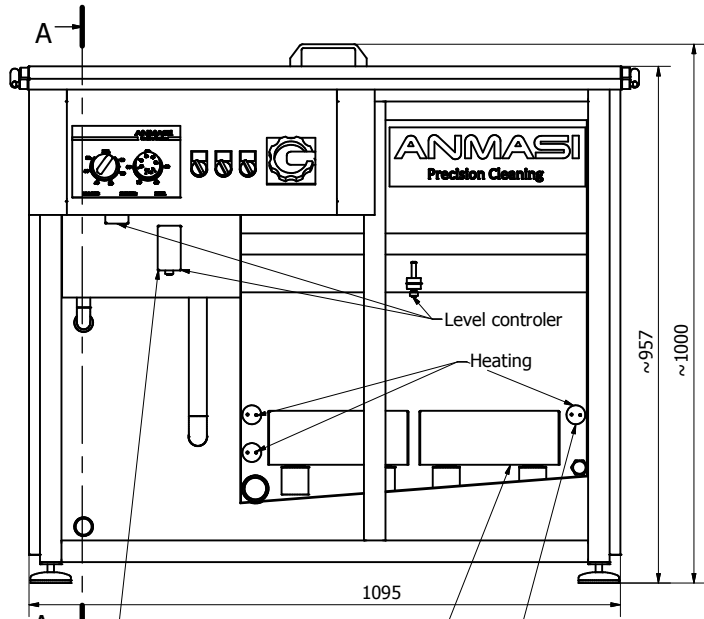
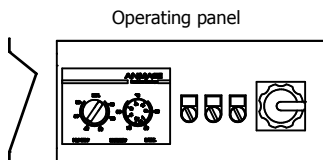
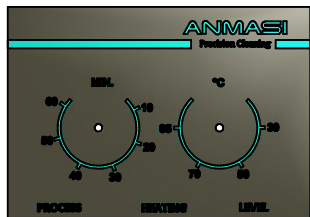


A-A (1:7)

B (1:3)

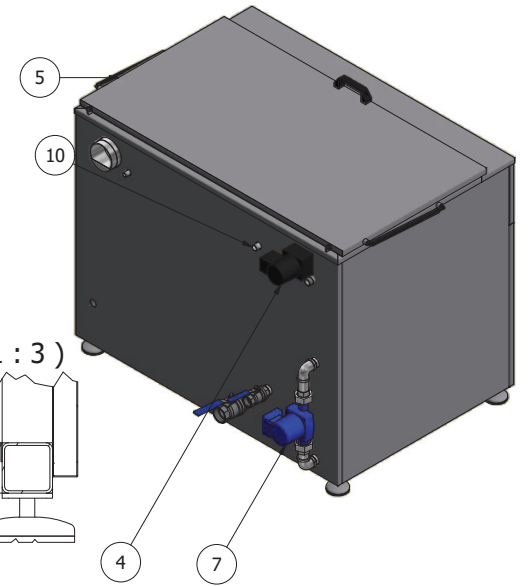
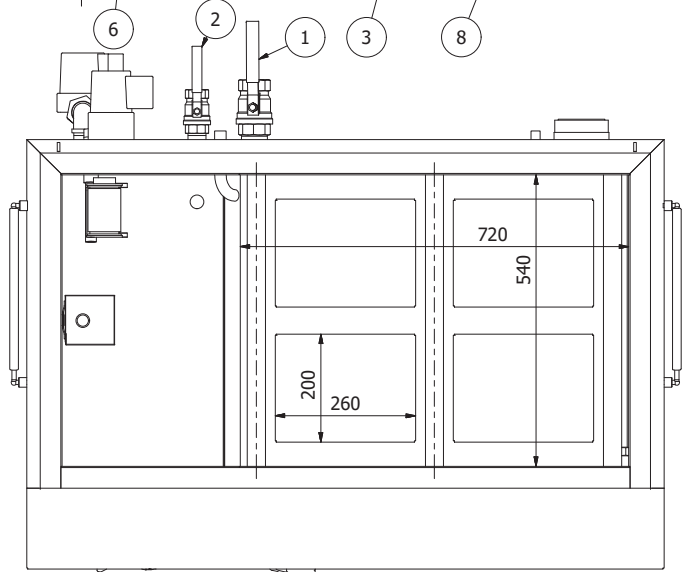
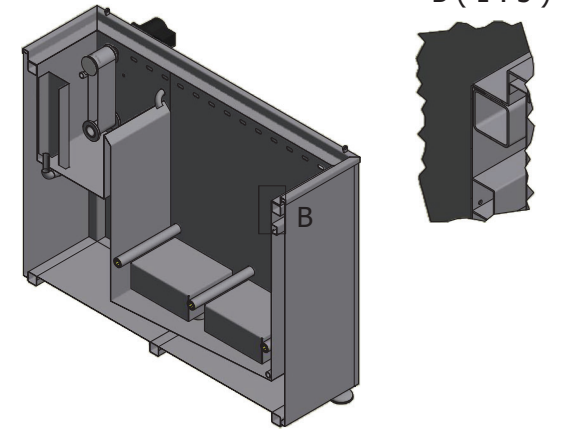
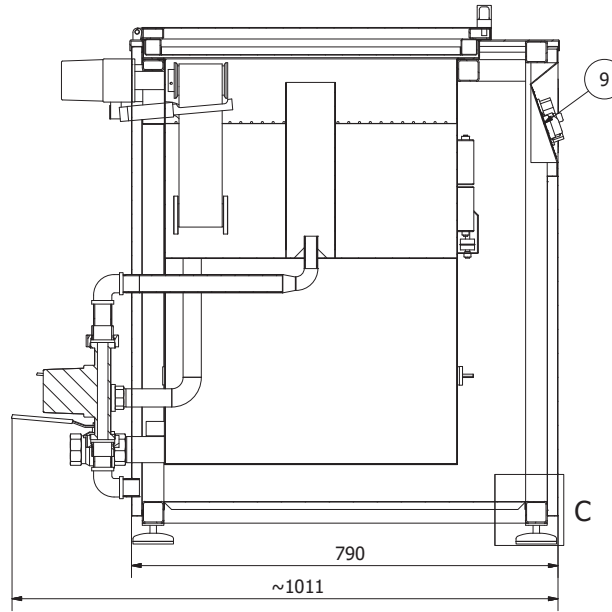
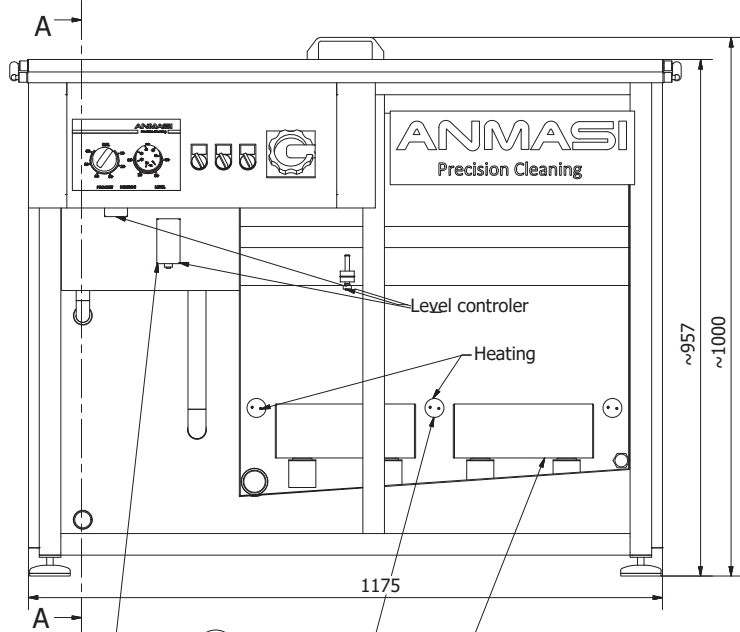


- description:
1. Valve 1 1/2"
 2. Valve 1"
 3. Heating
 4. Oilskimmer
 5. Door
 6. Level controller
 7. Pump- flushing
 8. Ultrasonic panel
 9. Operating panel
 10. Automatic water

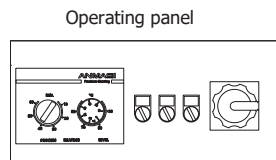
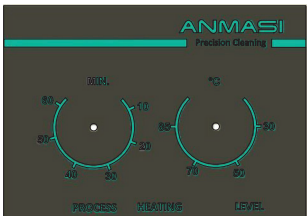


A-A (1:7)

B (1:3)



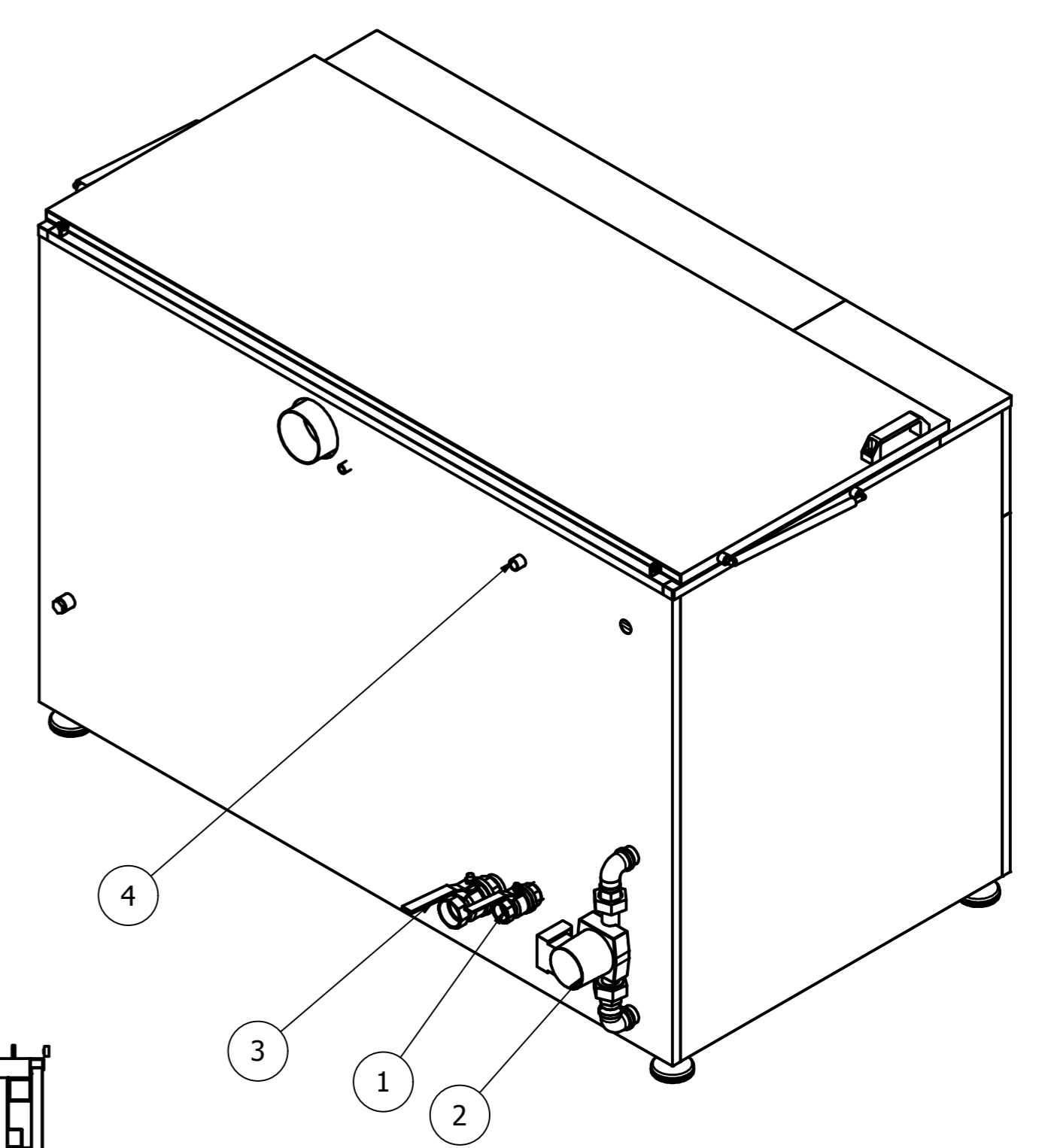
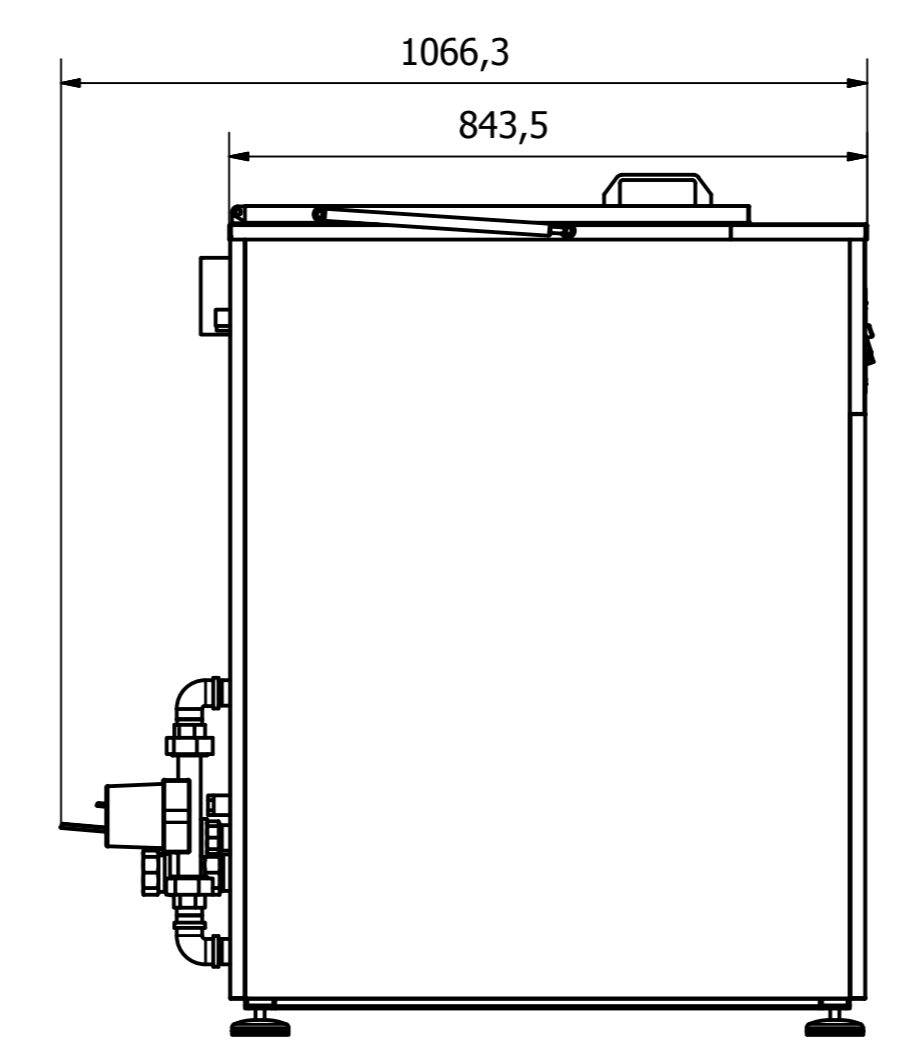
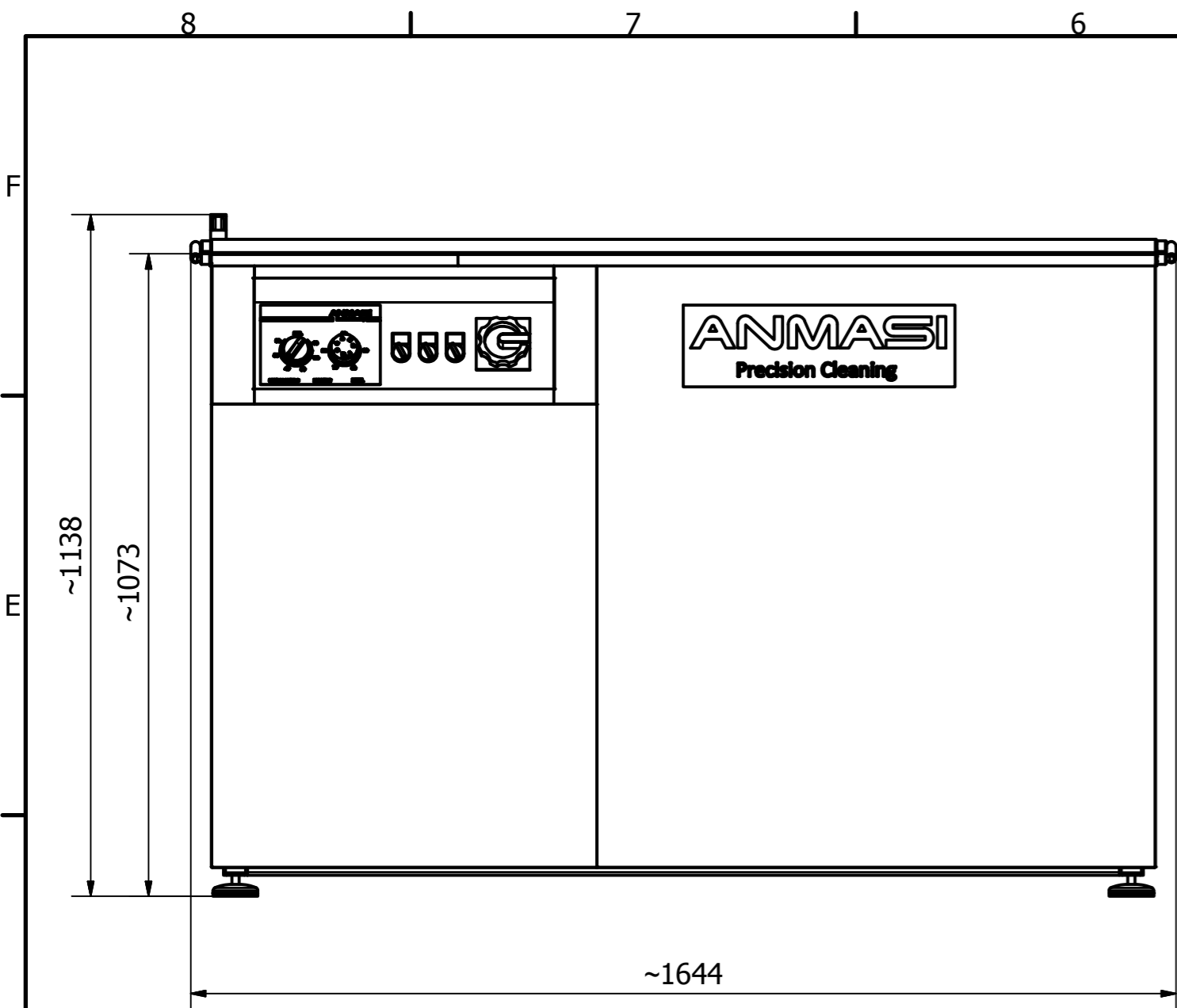
- description:
1. Valve 1 1/2"
 2. Valve 1"
 3. Heating
 4. Oilskimmer
 5. Door
 6. Level controller
 7. Pump- flushing
 8. Ultrasonic panel
 9. Operating panel
 10. Automatic water



ANMASI
Precision Cleaning
Anmasi A/S
Thorvej 240
DK-2200 Grønsted
tel: (0-45) 60-16-84-99
e-mail: ah@anmasi.dk www.anmasi.dk

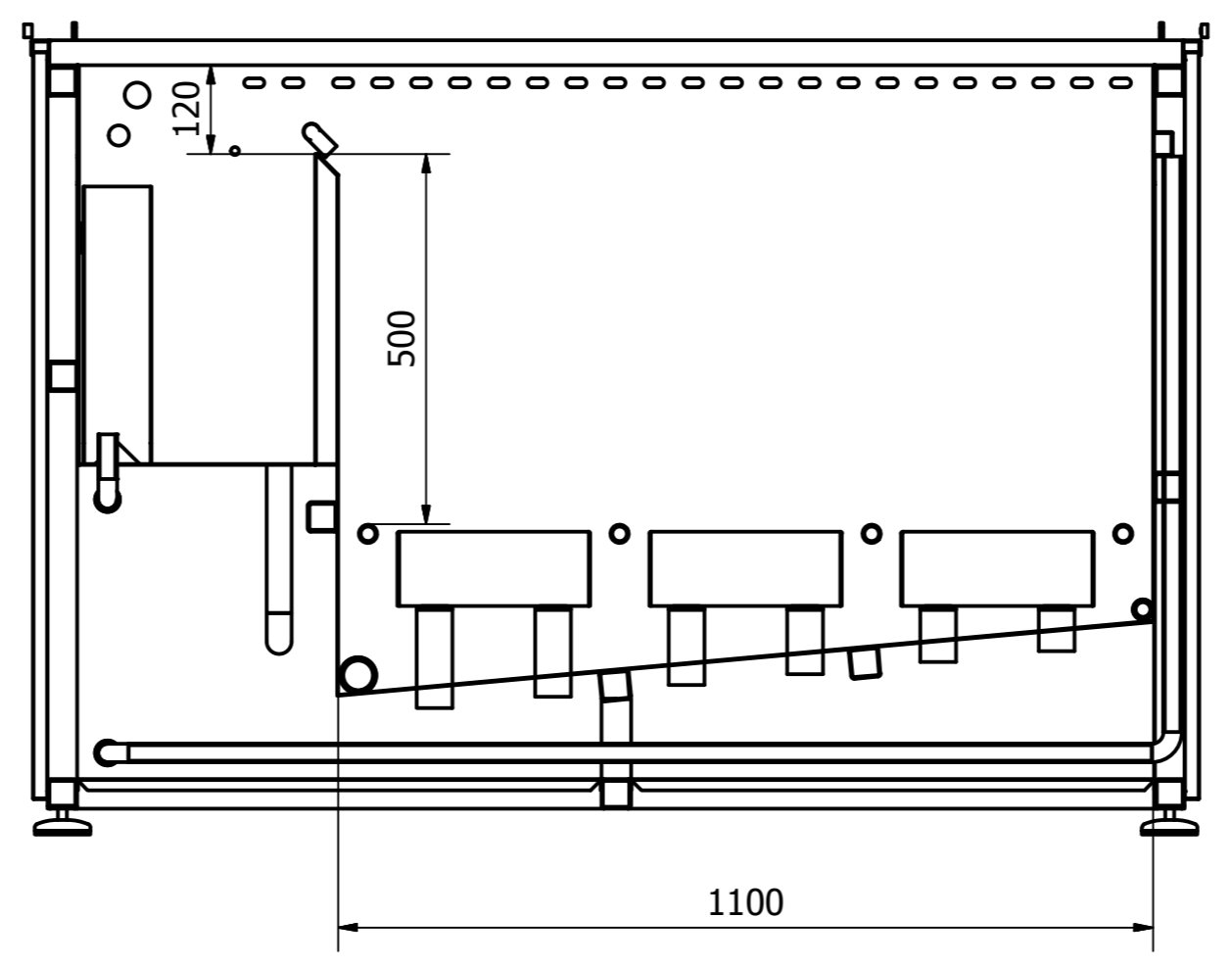
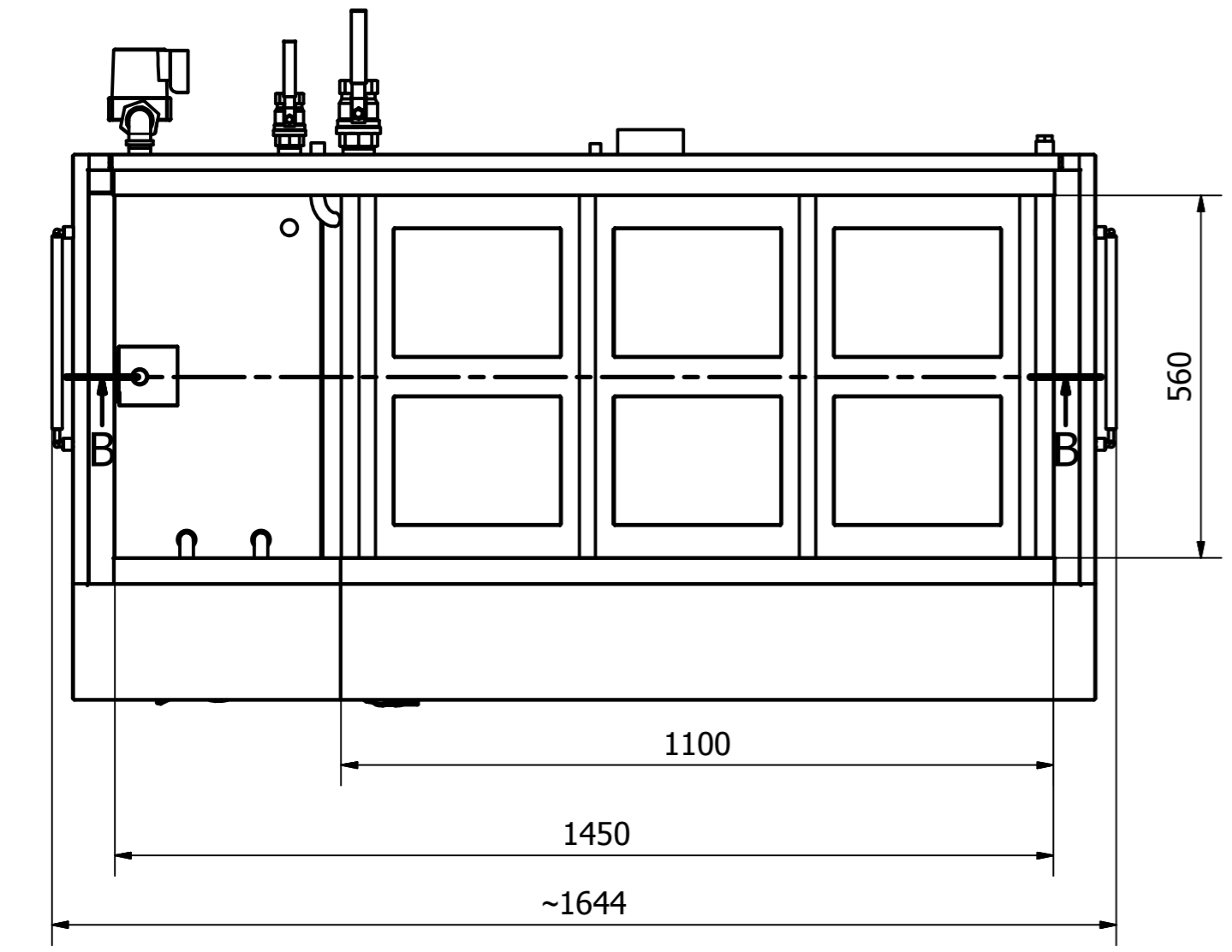
Ultrasonic MAXI B

Rev 1 Date



- 1.Outlet 1 in
- 2.Overflow rising
- 3.Outlet 1 1/2 in
- 4. Automatic filling

B-B (1 : 10)



Description	
Type	U-1000 D
Tank dimension	560x1100x500
Capacity	308 liter
Ultrasonic effect	3000W
Heating level	8000W
Frequency	25 KHz
Extra options	
Basket dimension	520x1060x500
Overflow rising	YES
Oilskimer	NO

ANMASI
Precision Cleaning
Anmasi A/S
Thorsvej 106
DK-7200 Grindsted
tel: (0-45) 60-16-84-99
e-mail: ah@anmasi.dk www.anmasi.dk

ANMASI MAXI D	
___/ANM_2015	Rev 1 Date